



FS9040-ST

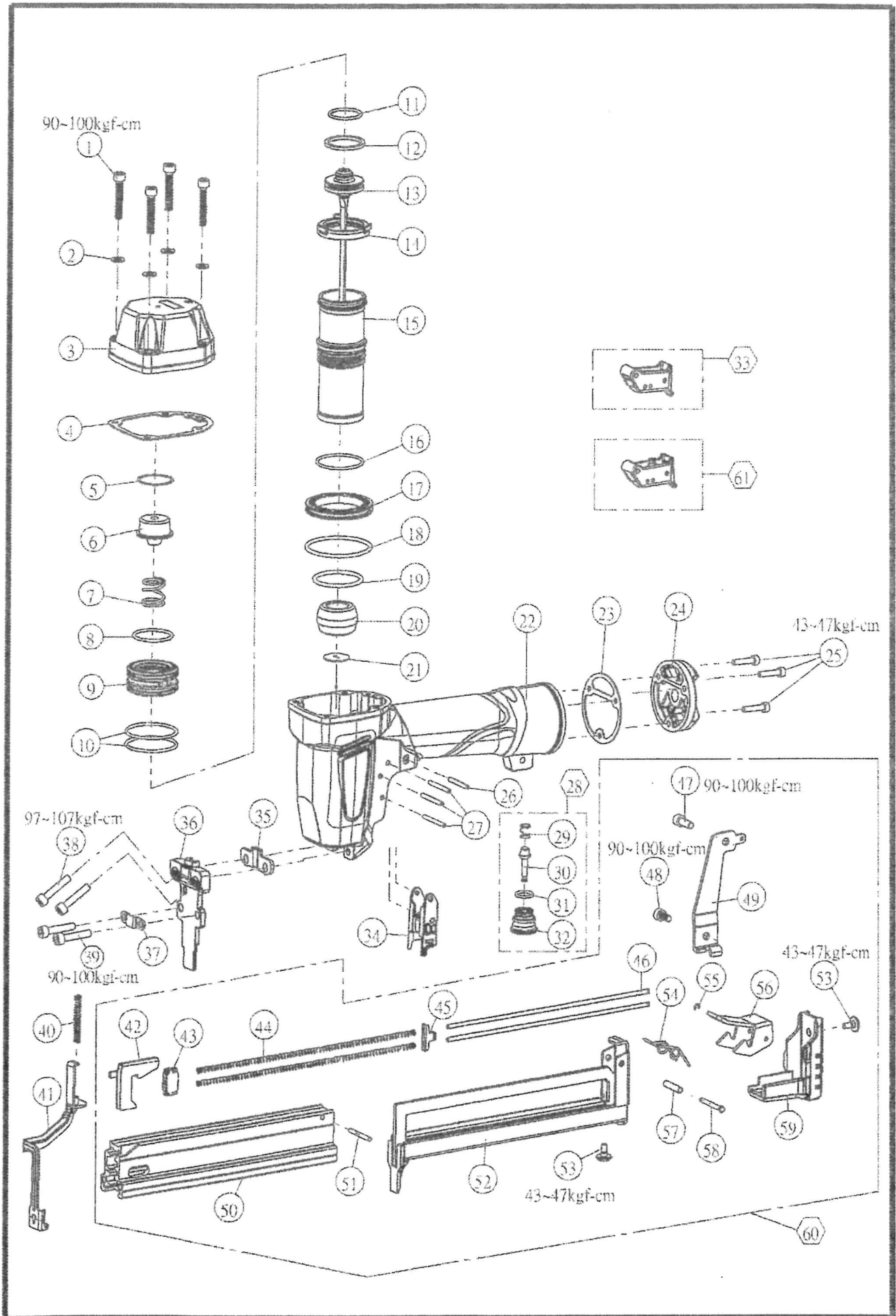
Stapler



Schematic & Spare Parts List

Dimensions	240mm x 235mm x 60mm
Weight	1.6kgs
Operating Pressure	70—100 psi (5—7 bar)
Air Consumption	0.8 litre/sec
Loading Capacity	100

FS9040-ST



FS9040-ST		<i>NOTE: When ordering spare parts. Please state the part name and part number.</i>						
Item	Part NO.	Description	Qty	Item	Part NO.	Description	Qty	
1	106227	Screw Socket Hd	4	49	105516	Magazine Bracket	1	
2	100638	Washer	4	50	105503	Magazine Cover	1	
3	105443	Cylinder Cap Unit	1	51	105509	Pin	1	
4	105445	Seal, Cylinder Cap	1	52	105502	Magazine Core Assembly	1	
5	105446	Spacer, Piston Stop	1	53	105544	Screw Socket Hd	2	
6	105447	Piston Stop	1	54	105511	Magazine Latch Spring	1	
7	103575	Spring	1	55	105567	E-Ring	1	
8	105449	O-Ring	1	56	105517	Magazine Latch	1	
9	105451	Head Valve Piston	1	57	105518	Bushing, Magazine Latch Spring	1	
10	105450	O-Ring	2	58	105566	Step Pin	1	
11	105454	O-Ring	1	59	105514	Magazine Cap	1	
12	103542	Piston Ring	1	60	106755	Magazine Kit Assembly	(1)	
13	105507	Main Piston Unit	1	61	105477	Trigger Unit (ST)	1	
14	105456	Cylinder Seal	1		106727	O-Ring Kit	(1)	
15	105457	Cylinder	1	MOQ for items in the following categories is 10pcs. order quantities under 10pcs for these items will be adjusted accordingly				
16	105458	O-Ring	1					
17	105459	Cylinder Ring	1					
18	103738	O-Ring	1	1.	Orings -- not included in the oring kits			
19	105460	O-Ring	1	2.	Screws, bolts			
20	105461	Bumper	1	3.	Pins - roll pin, solid pins			
21	105505	Driver Guide	1	4.	Standard washers -- not special washers.			
22	105463	Frame	1	5.	Nuts			
23	105468	Seal, End Cap	1					
24	105466	End Cap	1					
25	105113	Hex.Soc.Hd.Bolt	3					
26	100174	Roll Pin	1					
27	100039	Roll Pin	3					
28	105469	Trigger Valve Unit	1					
29	105471	Compression Spring	1					
30	105470	Valve Stem	1					
31	105856	O-Ring	1					
32	105473	Valve Body	1					
33	105474	Trigger Unit (CT)	(1)					
34	105482	Arm Guide	1					
35	105496	Driver Tip Guide	1					
36	105491	Nose	1					
37	105565	Cover, Contact Arm	1					
38	100933	Screw Socket Hd	2					
39	100530	Screw Socket Hd	2					
40	105568	Spring, Contact Arm	1					
41	105495	Contact Arm	1					
42	105506	Pusher	1					
43	105519	Pusher Spring Lockout	1					
44	105510	Pusher Spring	2					
45	105513	Pusher Spring Holder	1					
46	105512	Pusher Spring Shaft	2					
47	101688	Screw Socket Hd	1					
48	100301	Screw Socket Hd	1					